

Product Typical Feature

- ◆ High baud rate of up to 100Kbps
- ◆ Integrated isolated DC-DC converter
- ◆ Bus Protection
- ◆ Two-port isolation test voltage 4000Vdc
- ◆ Operating ambient temperature range: -40°C to +85°C
- ◆ The bus supports maximum 256 nodes



Test Condition: Unless otherwise specified, data in the datasheet should be tested under the conditions of inputting nominal voltage, pure resistance rated load and Ta=25°C.

Application Field

RS485-3V3LSSV/RS485-05LSSV Series are transceiver isolation module with integrated power isolation, electrical isolation, and RS485 interface bus protector; The traditional isolation RS485 circuit uses a piece of power isolation module and RS485 transceiver chip to realize the application. Now only a RS485 transceiver module could realize the functions. Simplify the customers on the isolation requirements of the design; Products can be easily embedded in the user equipment, achieve function of RS485 network connection.

Typical Product List

Part No	Input Voltage Range (VDC)
RS485-3V3LSSV	3.15V-3.45V
RS485-05LSSV	4.75V-5.25V

Input Specification

Item	Operating Condition		Value
Power Input	Static Current	Products Powered on, no communication	RS485-3V3LSSV ≤40mA
			RS485-05LSSV ≤50mA
	Send Current	100Kbps square wave communication	RS485-3V3LSSV ≤130mA
			RS485-05LSSV ≤130mA
Single Input	Series Interface	RS485-3V3LSSV	Compatible with +3.3V UART interface only
		RS485-05LSSV	Compatible with +5V UART interface only
	Pin Current		I _{TXD} ≤2mA; I _{RXD} ≤2mA; I _{CON} ≤2mA

Bus Interface

Item	Value	
Output	RS485Bus interface	Standard RS485 interface, A、B bus built in 5.1KΩ of the pull-down resistor
Output isolated voltage	Output isolated power pin	3.3Vdc 3.2-3.6Vdc (only for external pull-down resistor, not recommended for other usage)
		5Vdc 4.9-5.3Vdc (only for external pull-down resistor, not recommended for other usage)
/		

Transmission Specifications

Transmission Rate	100Kbps Max				
Handoff Delay	≤30us				
Number of Nodes	The bus supports maximum 256 nodes				
Transceiver Control	Contrary to common RS485 transceiver control level				
Send Status	Control	Input	Output		
	CON	TXD	A	B	Line State
	0	1	1	0	Normal
	0	0	0	1	Normal
Receive Status	Control	Input	Output		
	CON	A-B	RXD		
	1	≥0.2V	1		
	1	≤-0.2V	0		

General Specifications

Item	Operating Conditions	Value
Electric Isolation		Two-terminal isolation(input and output are mutually isolated)
Isolation Voltage	Lead current≤0.5mA, humidity≤95%, Test for 60S	4000Vdc
Operating Temperature		-40℃ to +85℃
Transportation and Shortage Temperature		-55℃ to +105℃
Operating Humidity		10% - 90%
Max.Operating Temperature for Casing		25℃ (Typ)
Safety Class		EN60950
Safety Certification		EN60950
Safety Class		CLASS III
Application Environment		The presence of dust, fierce vibration, impulsion and corrosive gas may cause damage to the product

EMC Specifications

Item	Sub	Test Certification	Class
EMI	CE	CISPR22/EN55032	CLASS A (see recommended circuit photo ②)
	RE	CISPR22/EN55032	CLASS A (see recommended circuit photo ②)
EMS	ESD	IEC/EN61000-4-2	Contact ±4KV Perf.Criteria B
	EFT	IEC/EN61000-4-4	Power supply port ±2KV Perf.Criteria B (see recommended circuit

		photo 1)
	IEC/EN61000-4-4	Signal supply port $\pm 1KV$ Perf.Criteria B (see recommended circuit photo 1)
Surge	IEC/EN61000-4-5	Power supply port $\pm 1KV$ (line to line) (see recommended circuit photo ②)
		Signal supply port $\pm 0.25KV$ (line to line) / $\pm 0.5KV$ (line to ground) (see recommended circuit photo 1)
		Signal supply port $\pm 0.5KV$ (line to line) / $\pm 1KV$ (line to ground) (see recommended circuit photo 1)
		Signal supply port $\pm 1KV$ (line to line) / $\pm 2KV$ (line to ground) (see recommended circuit photo 1)
		Signal supply port $\pm 2KV$ (line to line) / $\pm 4KV$ (line to ground) (see recommended circuit photo 1)
		Signal supply port $\pm 4KV$ (line to line) / $\pm 6KV$ (line to ground) (see recommended circuit photo 1)

Design Reference

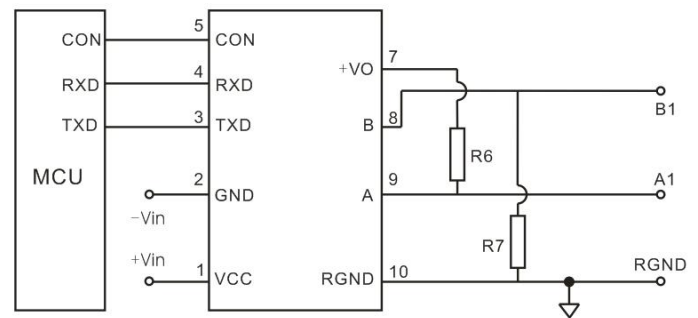
1. Typical Application :

Typical Application RS485 isolated transceiver module is as shown in the photo;

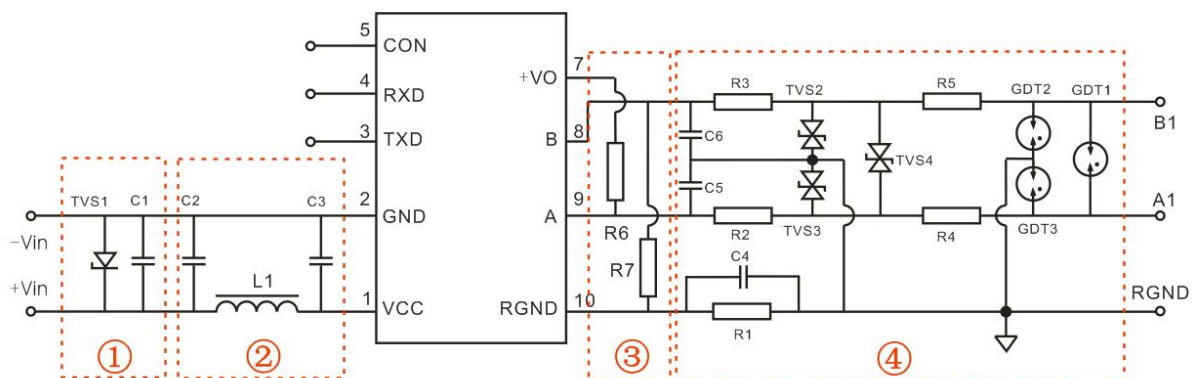
RS485-05LSSV module need to use the 5V power supply, the matching level is 5V, not be suitable for 3.3V system level;

RS485-3V3LSSV module need to use the 3.3V power supply, the matching level is 3.3V, not be suitable for 5V system level;

RS485 transceiver module built-in 5.1K pull-down resistance, R6, R7 is external pull-up resistance, please select the appropriate resistance value according to the actual situation.



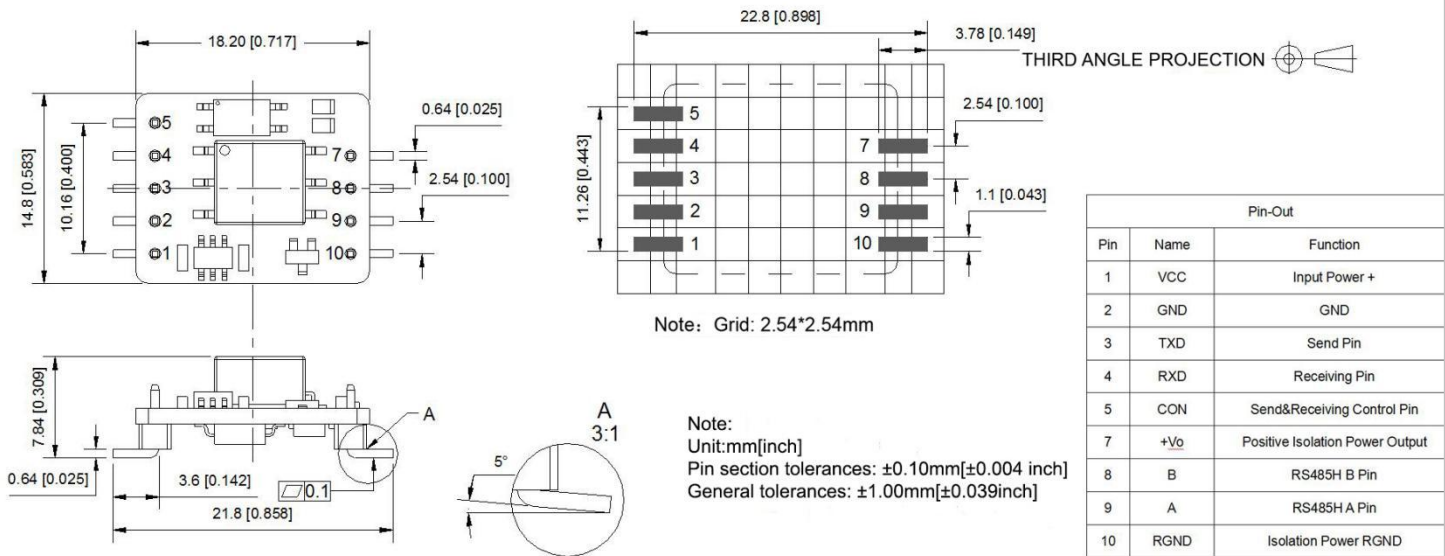
2. Recommended Circuit :



Recommended Parameter:

Component	RS485-3V3LSSV	RS485-05LSSV		
C1	220uF/10V (Electrolytic capacitor)			
TVS1	SMCJ5.0A	SMCJ6.5A		
C2、C3	1uF/50V			
L	10uH			
C5/C6	100pF/100V			
C4	1nF/2KW			
R1	1MΩ			
TVS2、TVS3,TVS4	SMBJ15CA			
R6/R7	please select the appropriate resistance value according to the actual situation			
R4/R5	/	Wire-wound resistor 10Ω/2W		
R2/R3	Wire-wound resistor 10Ω/1W	Wire-wound resistor 10Ω/2W	/	
GDT1/GDT2/GDT3	/	G30-A90X	S30-A90X	S50-A90X

Dimension



Package Code

21.8X14.8X7.2mm

0.858X0.583X0.309inch

Design Reference

1. The product should be used under the specification range, hot Hot-swap is not supported, otherwise it will cause permanent damage to it;
2. RS485-05LSSV will not support 3.3V system levels, RS485-3V3LSSV will not support 5V level;
3. Pin-7 is only provided to connect with the pull-up resistor, and when not in use, it should be suspended;
4. If the product worked beyond the load range or below the minimum load, we cannot ensure that the performance of product is in accordance with all the indexes in this manual;
5. Unless otherwise specified, data in this datasheet should be tested under conditions of $T_a=25^{\circ}\text{C}$, humidity<75% when inputting nominal voltage and outputting rated load(pure resistance load);
6. All index testing methods in this datasheet are based on our Company's corporate standards;
7. We can provide customized product service;
8. The product specification may be changed at any time without prior notice.

Guangzhou Aipu Electron Technology Co., Ltd

Address: Building 4, HEDY Park, No.63, Punan Road, Huangpu Dist, Guangzhou, China.

Tel: 86-20-84206763 Fax: 86-20-84206762 HOTLINE: 400-889-8821

E-mail: sales@aipu-elec.com Website: www.aipupower.com